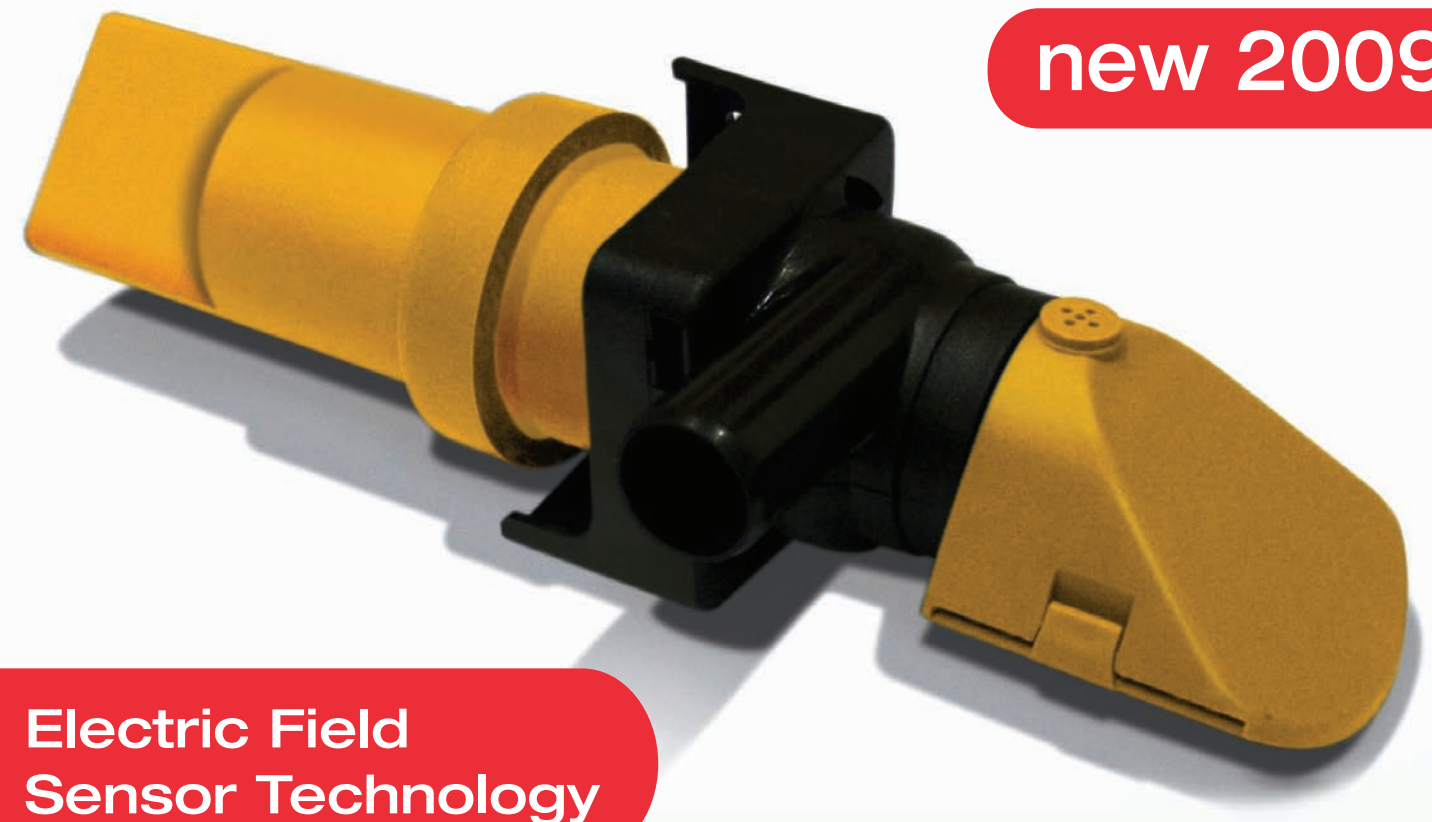


The Low Profile Automatic Bilge Pump



The low profile automatic bilge pump

- Fully automatic bilge water removal
- Market leading flow rate

Quick and Easy Installation

Unaffected by wave motion

Environmentally friendly - mercury free

Includes manual override facility

Solid state switching - No moving parts

Suitable for: Power Boats, Sail Boats and Personal Watercrafts

Whale Water Systems

Old Belfast Road, Bangor, BT19 1LT, N.Ireland.

tel: +44 (0)28 9127 0531 fax: +44 (0)28 9146 6421

whalepumps.com info@whalepumps.com

Whale Water Systems Inc

PO Box 1788, 91 Manchester Valley Road,

Manchester Center, VT 05255, USA.

tel: +1 802 367 1091 fax: +1 802 367 1095

whalepumps.com usasales@whalepumps.com

Whale's policy is one of continuous improvement and we reserve the right to change specifications without prior notice.
Illustrations are for guidance purposes only

Supersub Smart650

The Low Profile Automatic Bilge Pump

Installation

new

The low profile automatic bilge pump

- Fully automatic bilge water removal
- Market leading flow rate

NO SEPARATE SWITCH REQUIRED
Waterproof protected electronics

AUTOMATICALLY CONTROLLED
Patented electric field sensor automatically detects the water level

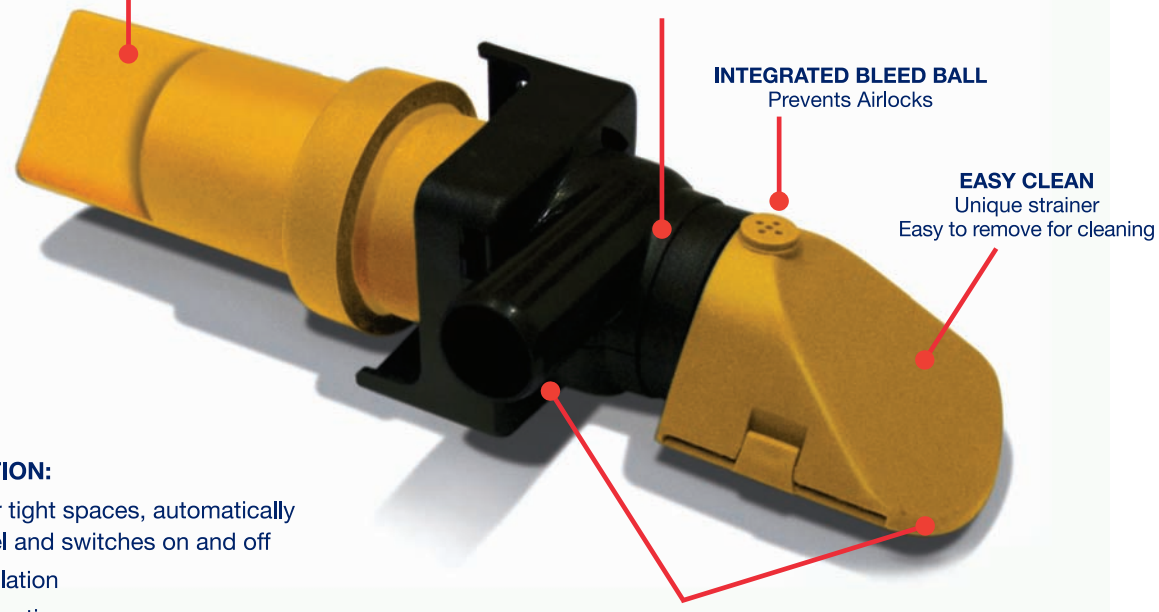
ELECTRIC FIELD SENSOR TECHNOLOGY

VERTICAL / HORIZONTAL INSTALLATION
19mm (3/4") outlet port

INTEGRATED BLEED BALL
Prevents Airlocks

EASY CLEAN
Unique strainer
Easy to remove for cleaning

EASY INSTALL
Multi position pump head and body



PRODUCT DESCRIPTION:

Narrow design ideal for tight spaces, automatically senses bilge water level and switches on and off

- Quick and easy installation
- Unaffected by wave motion
- Environmentally friendly – mercury free
- Includes manual override facility
- Solid state switching - No moving parts

Certifications and Standards

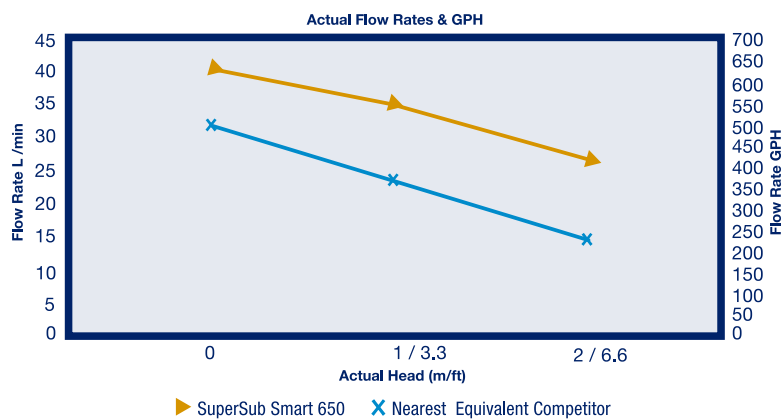
- Conforms to ISO 8849 and ISO 15083
- Ignition protected per ABYC and USCG standards
- CE Certified Directive 89/336/EEC - EMC compliant

PERFORMANCE DATA

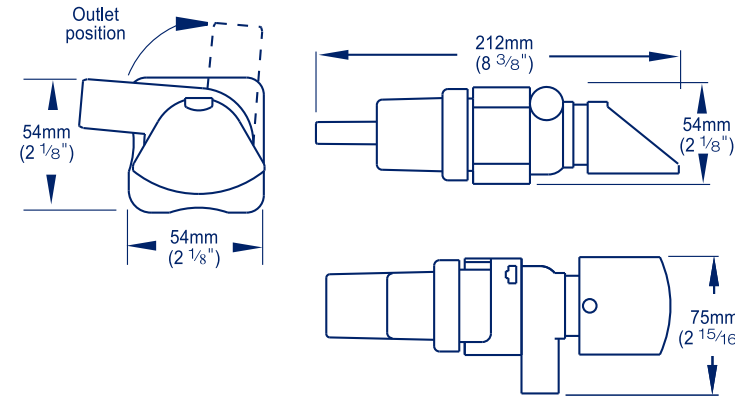
Model Size	SuperSub Smart 650 (Actual Head)					
	12			13.6		
Voltage V d.c. (nominal, design)						
Time (mins)	l/min	l/hour	US GPH	l/min	l/hour	US GPH
Flow rate @ open flow	37	2220	600	41	2400	650
Flow rate @ 1m/3.3ft head	30	1800	500	34	2040	550
Flow rate @ 2m/6.6ft head	20	1200	300	24	1440	400
Max Current (Amps)	3	3	3	3.4	3.4	3.4

MODEL SPECIFICATIONS

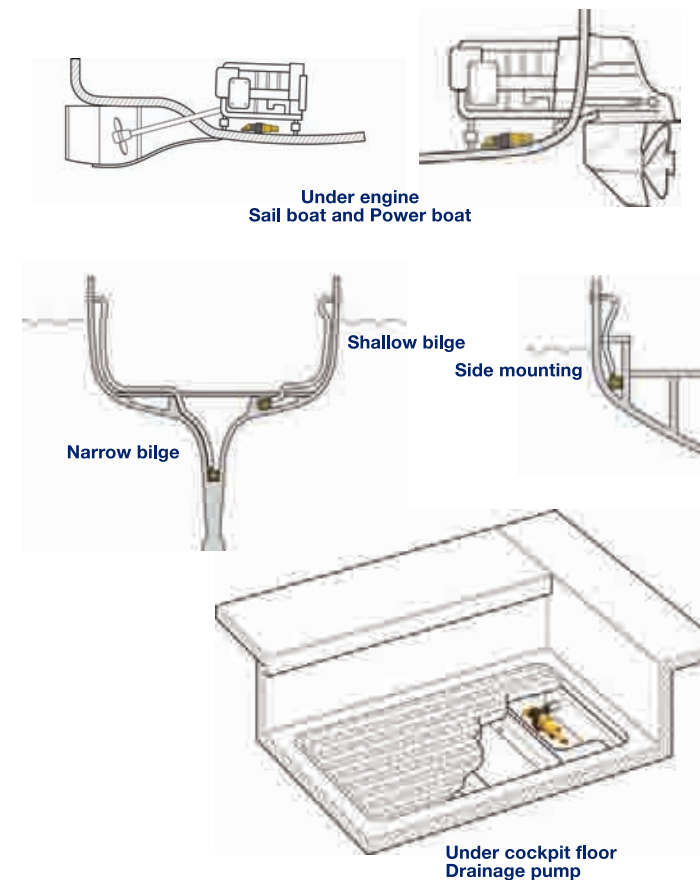
Model	Supersub Smart 650
Product Code	SS5212
Open Flow Rate at 13.6 V d.c.	2400 ltrs per hour (650 US GPH)
Flow Rate at 1m (3ft) head	2040 ltrs per hour (550 US GPH)
Nominal Voltage	12 V d.c.
Current Draw	3.4 amps
Recommended Automotive Fuse	5 Amp
Weight	0.326 kg. (0.71 lbs)
Hose Connection	19mm (3/4")
Wire Size	1.5 mm (16 AWG) Caulked Wire
Materials	Pump Body - Polypropylene. High temperature ABS, Fully potted circuitry. Locking Ring - Acetal. Impeller - Glass filled PBT. Seals - Nitrile. Fasteners - Stainless Steel.
Maximum Head Discharge	3 m (9.8ft)
Max. Overall Height	75mm (2 15/16")
Max. Overall Width	54mm (2 1/8")
Overall Length	212mm (8 3/8")



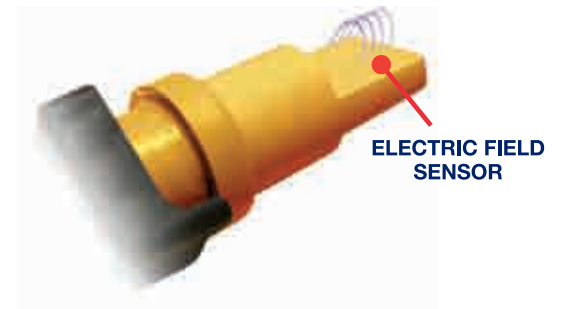
[2] Low Profile, Narrow Width Design



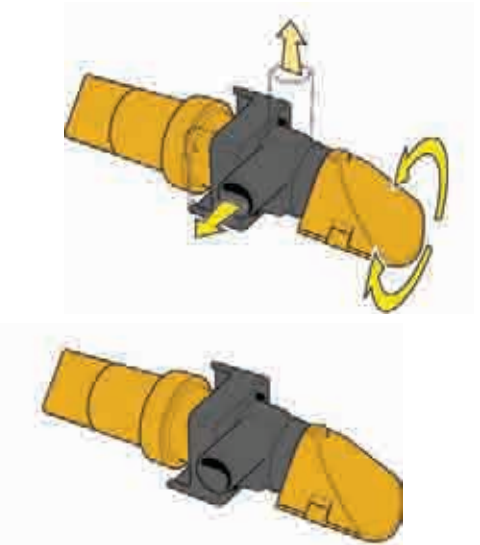
[4] Typical Installations



[1] New Sensor Technology



[3] Ease of Installation



[5] Maintenance Instructions

EASY CLEAN
Unique strainer - easy to remove for cleaning

